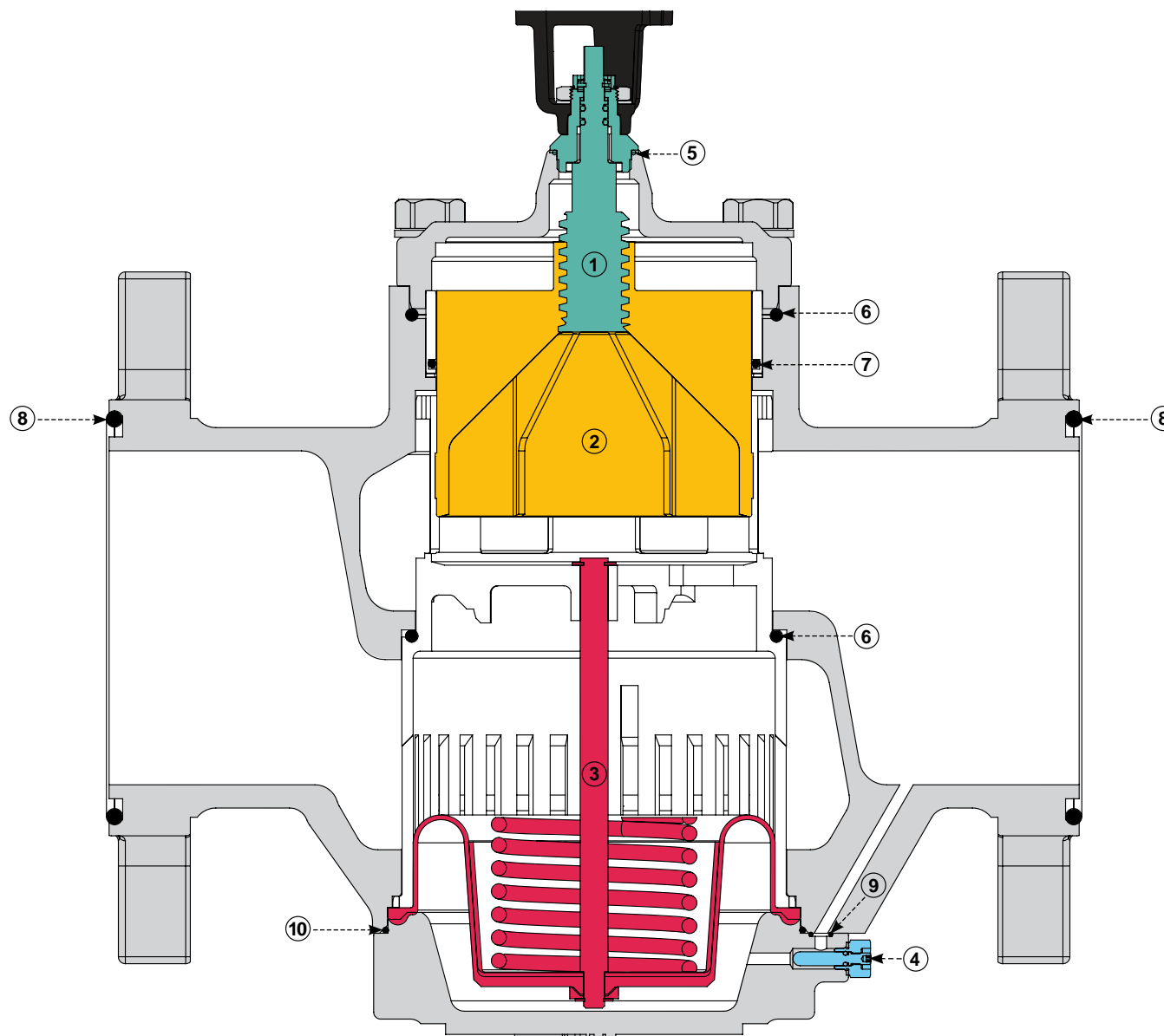


FlowCon SM.5.1
DN125/150 · 5", 6"



Description Qty. Ref. no.

① Repair Spindle Kit ACC1A02044

Screw spindle SH.4-5/SM.4-5	1 x 1A20250
O-ring, $\phi 7.3 \times 2.4\text{mm}$, 70 shore	2 x 0X05003
Gland bolt SM	1 x 1A10103
Slide washer	1 x 1A30010
Friction washer, $\phi 14\text{mm}$	1 x 1A30012
Spindle nut SM/SH	1 x 1A30008
Thrust washer SM/SH	1 x 1A20001
Lock SM/SH	1 x 1A20002
O-ring, $\phi 32.0 \times 2.0\text{mm}$, 70 shore	1 x 0X05026

② Repair Seat Plug 1A30255

Seat plug SM.5	1 x 1A30255
----------------	-------------

③ Repair Diaphragm Kit ACC1A03064

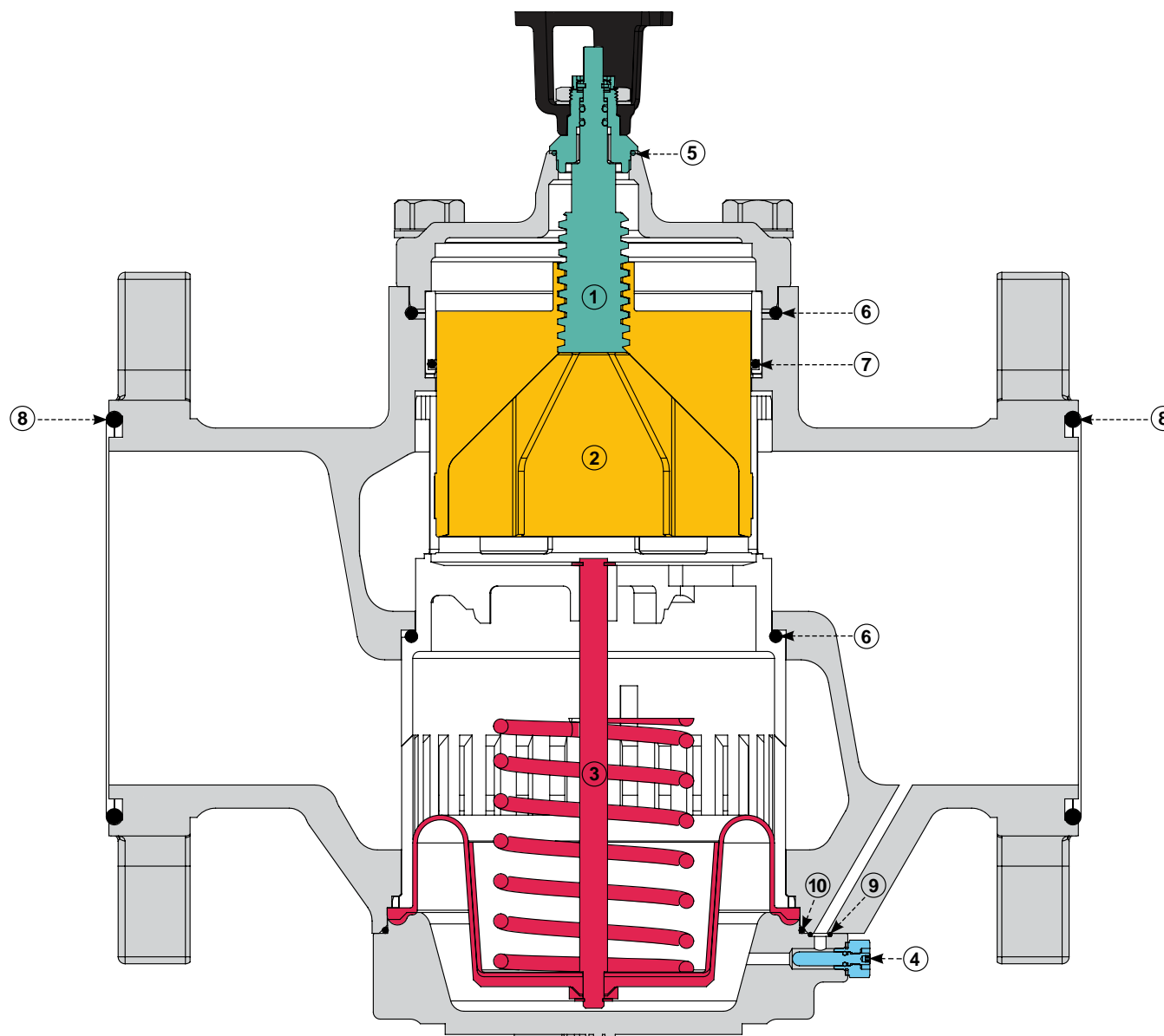
Diaphragm washer SH.4-5/SM.4-5	1 x 1A20253
Tracing pin SH.5/SM.5	1 x 1A20252
Diaphragm cup SH.5/SM.5	1 x 1A25251
Spring SH.5.1/SM.5.1	1 x 1A70250
Seeger circlip DIN 6799, $\phi 8\text{mm}$	1 x 0X09003
Seeger circlip DIN 6799, $\phi 9\text{mm}$	1 x 0X09005
Diaphragm SH.5/SM.5	1 x 1A40250

④ Spare Part Drozle 1A01505

Gasket, $\phi 14 \times 1\text{mm}$	1 x 0X08001
O-ring, $\phi 2.90 \times 1.78\text{mm}$, 70 shore	1 x 0X05028
Plug for drozle	1 x 1A10184
Drozle spindel SH.4-5/SM.4-5	1 x 1A10180

Spare Part O-rings

⑤ $\phi 32.0 \times 2.0\text{mm}$, 70 shore	1 x 0X05026
⑥ $\phi 151.76 \times 5.33\text{mm}$, 70 shore	2 x 0X05106
⑦ $\phi 136.12 \times 3.52\text{mm}$	1 x 0X05116
⑧ $\phi 164.46 \times 6.99\text{mm}$, 70 shore	2 x 0X05107
⑨ $\phi 6.75 \times 1.78\text{mm}$	1 x 0X05103
⑩ $\phi 177.1 \times 2.62\text{mm}$, 70 shore	1 x 0X05113



FlowCon SM.5.2
DN125/150 · 5", 6"

Description Qty. Ref. no.

① Repair Spindle Kit ACC1A02044

Screw spindle SH.4-5/SM.4-5	1 x 1A20250
O-ring, $\phi 7.3 \times 2.4\text{mm}$, 70 shore	2 x 0X05003
Gland bolt SM	1 x 1A10103
Slide washer	1 x 1A30010
Friction washer, $\phi 14\text{mm}$	1 x 1A30012
Spindle nut SM/SH	1 x 1A30008
Thrust washer SM/SH	1 x 1A20001
Lock SM/SH	1 x 1A20002
O-ring, $\phi 32.0 \times 2.0\text{mm}$, 70 shore	1 x 0X05026

② Repair Seat Plug 1A30255

Seat plug SM.5	1 x 1A30255
----------------	-------------

③ Repair Diaphragm Kit ACC1A03074

Diaphragm washer SH.4-5/SM.4-5	1 x 1A20253
Tracing pin SH.5/SM.5	1 x 1A20252
Diaphragm cup SH.5/SM.5	1 x 1A25251
Spring SH.5.2/SM.5.2	1 x 1A70255
Seeger circlip DIN 6799, $\phi 8\text{mm}$	1 x 0X09003
Seeger circlip DIN 6799, $\phi 9\text{mm}$	1 x 0X09005
Diaphragm SH.5/SM.5	1 x 1A40250

④ Spare Part Drozle 1A01505

Gasket, $\phi 14 \times 1\text{mm}$	1 x 0X08001
O-ring, $\phi 2.90 \times 1.78\text{mm}$, 70 shore	1 x 0X05028
Plug for drozle	1 x 1A10184
Drozle spindel SH.4-5/SM.4-5	1 x 1A10180

Spare Part O-rings

⑤ $\phi 32.0 \times 2.0\text{mm}$, 70 shore	1 x 0X05026
⑥ $\phi 151.76 \times 5.33\text{mm}$, 70 shore	2 x 0X05106
⑦ $\phi 136.12 \times 3.52\text{mm}$	1 x 0X05116
⑧ $\phi 164.46 \times 6.99\text{mm}$, 70 shore	2 x 0X05107
⑨ $\phi 6.75 \times 1.78\text{mm}$	1 x 0X05103
⑩ $\phi 177.1 \times 2.62\text{mm}$, 70 shore	1 x 0X05113