

FlowCon T-JUST with A/FF
DN15/20/25 · 1/2", 3/4", 1"

No. Reference no. Description

Valve bodies

- | | | |
|----|----------|------------------------|
| ① | Axx.I | Valve body |
| ①* | A25.I.K | Valve body (not shown) |
| ② | FF20.I.D | Valve body |

Cartridge

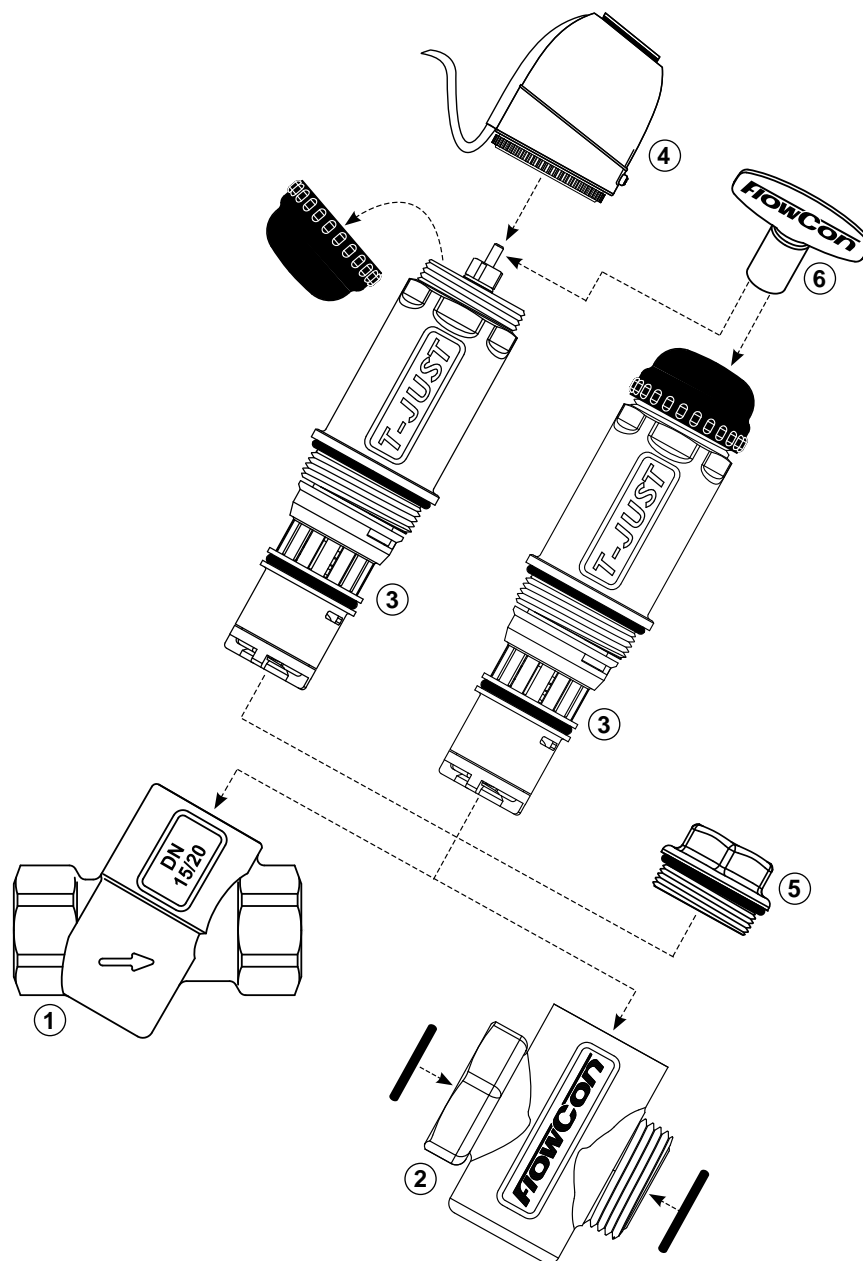
- | | | |
|---|--------|-----------|
| ③ | T-JUST | Cartridge |
|---|--------|-----------|

Actuator

- | | | |
|---|----------|------------------|
| ④ | EV.x.x.R | Thermal actuator |
|---|----------|------------------|

Accessories

- | | | |
|---|---------|----------------|
| ⑤ | ACC0080 | Blind cap |
| ⑥ | ACC0001 | Adjustment key |



FlowCon T-JUST with AB
DN15/20/25 · 1/2", 3/4", 1"

No. Reference no. Description

Valve bodies

- ① ABxx.I Valve body
- ①* AB25.I.K Valve body (not shown)

Cartridge

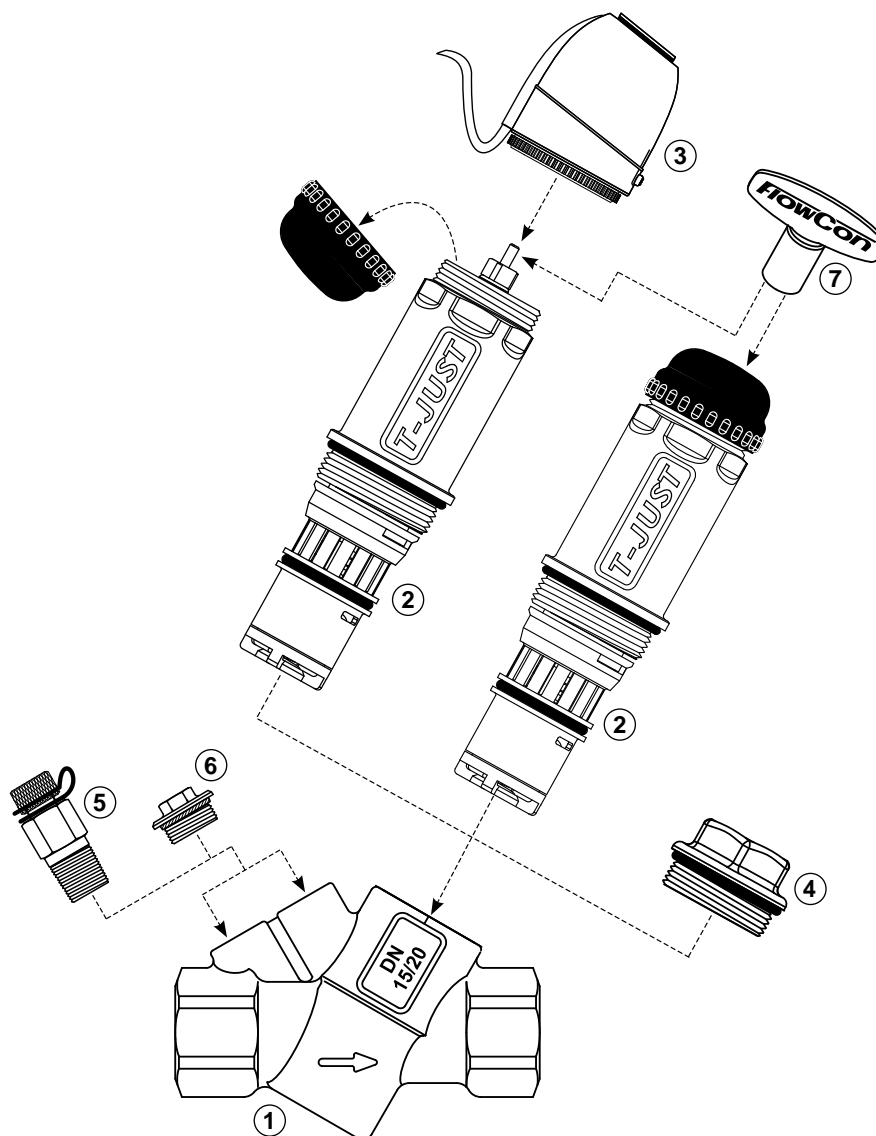
- ② T-JUST Cartridge

Actuator

- ③ EV.x.x.R Thermal actuator

Accessories

- ④ ACC0080 Blind cap
- ⑤ 2 x ACC00101 P/t plug
- ⑥ 2 x ACC1B03000 Plug
- ⑦ ACC0001 Adjustment key



FlowCon T-JUST with ABV1
DN15/20/25 · 1/2", 3/4", 1"

No. Reference no. Description

Valve body

① ABV1 Valve body

Cartridge

② T-JUST Cartridge

Actuator

③ EV.x.x.R Thermal actuator

Accessories

- ④ ACC0080 Blind cap
- ⑤ 1C000xx Male union end conn. 15-25mm (1/2"-1")
- ⑥ 1C000xx Female union end conn. 15-20mm (1/2"-3/4")
- ⑦ 1C000xx Sweat union end conn. 15-22mm
- ⑧ 2 x ACC00101 P/t plug
- ⑨ 2 x ACC1B03000 Plug
- ⑩ ACC0001 Adjustment key

