

FlowCon SME with A
DN15/20/25 · 1/2", 3/4", 1"

No. Reference no. Description

Valve bodies

①	Axx.l	Valve body
①*	A25.l.K	Valve body (not shown)

Cartridge

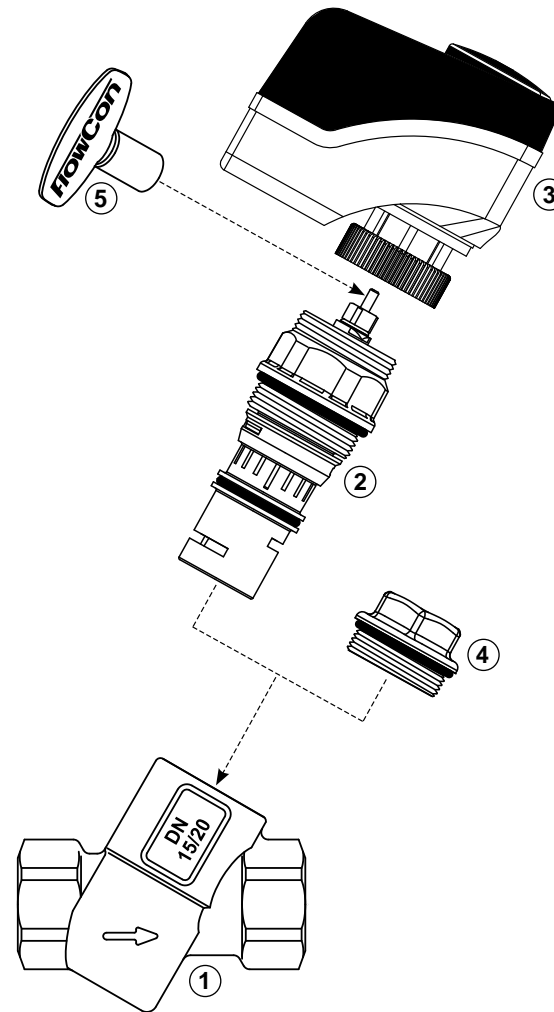
②	SME.x	SME cartridge
---	-------	---------------

Actuators

③	FM.x.x	Electrical actuator
③*	FB.x.x	Electrical actuator (not shown)
③*	FT.x.x	Thermal actuator (not shown)

Accessories

④	ACC0080	Blind cap
⑤	ACC0001	Adjustment key



FlowCon SME with AB
DN15/20/25 · 1/2", 3/4", 1"

No. Reference no. Description

Valve bodies

- | | | |
|----|----------|------------------------|
| ① | ABxx.I | Valve body |
| ①* | AB25.I.K | Valve body (not shown) |

Cartridge

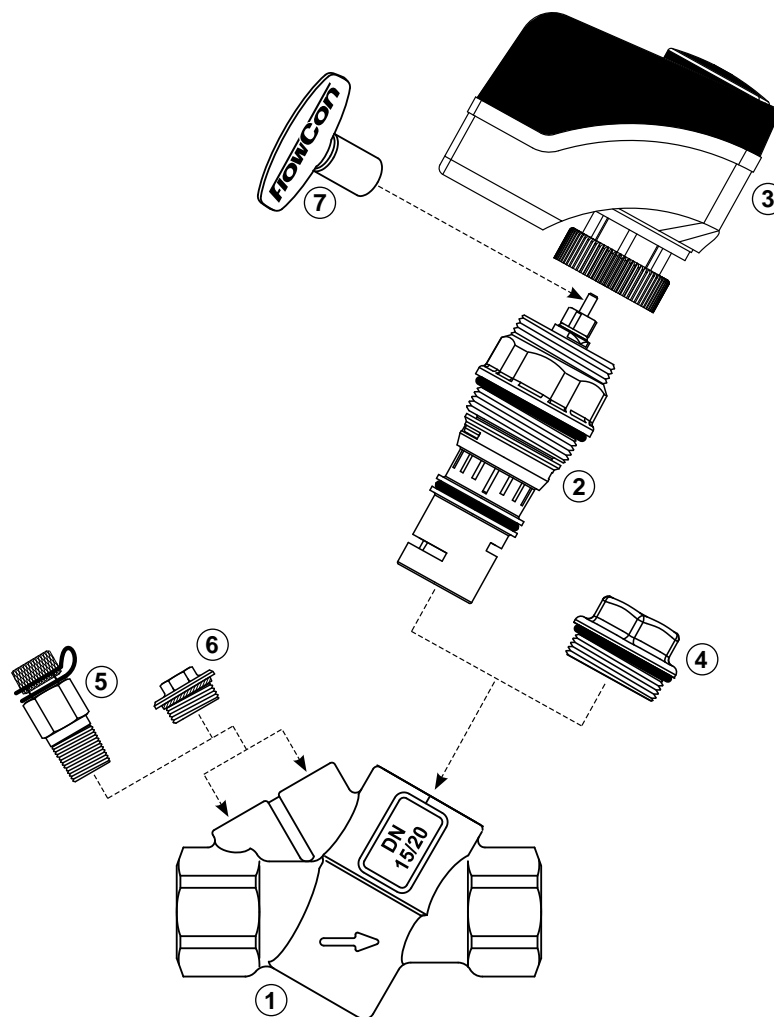
- | | | |
|---|-------|---------------|
| ② | SME.x | SME cartridge |
|---|-------|---------------|

Actuators

- | | | |
|----|--------|---------------------------------|
| ③ | FM.x.x | Electrical actuator |
| ③* | FB.x.x | Electrical actuator (not shown) |
| ③* | FT.x.x | Thermal actuator (not shown) |

Accessories

- | | | |
|---|----------------|----------------|
| ④ | ACC0080 | Blind cap |
| ⑤ | 2 x ACC00101 | P/t plug |
| ⑥ | 2 x ACC1B03000 | Plug |
| ⑦ | ACC0001 | Adjustment key |



FlowCon SME with ABV1
DN15/20/25 · 1/2", 3/4", 1"

No. Reference no. Description

Valve body

① ABV1 Valve body

Cartridge

② SME.x SME cartridge

Actuators

③ FM.x.x Electrical actuator

③* FB.x.x Electrical actuator
(not shown)

③* FT.x.x Thermal actuator
(not shown)

Accessories

④ ACC0080 Blind cap

⑤ 1C000xx Male union end conn.
15-25mm (1/2"-1")

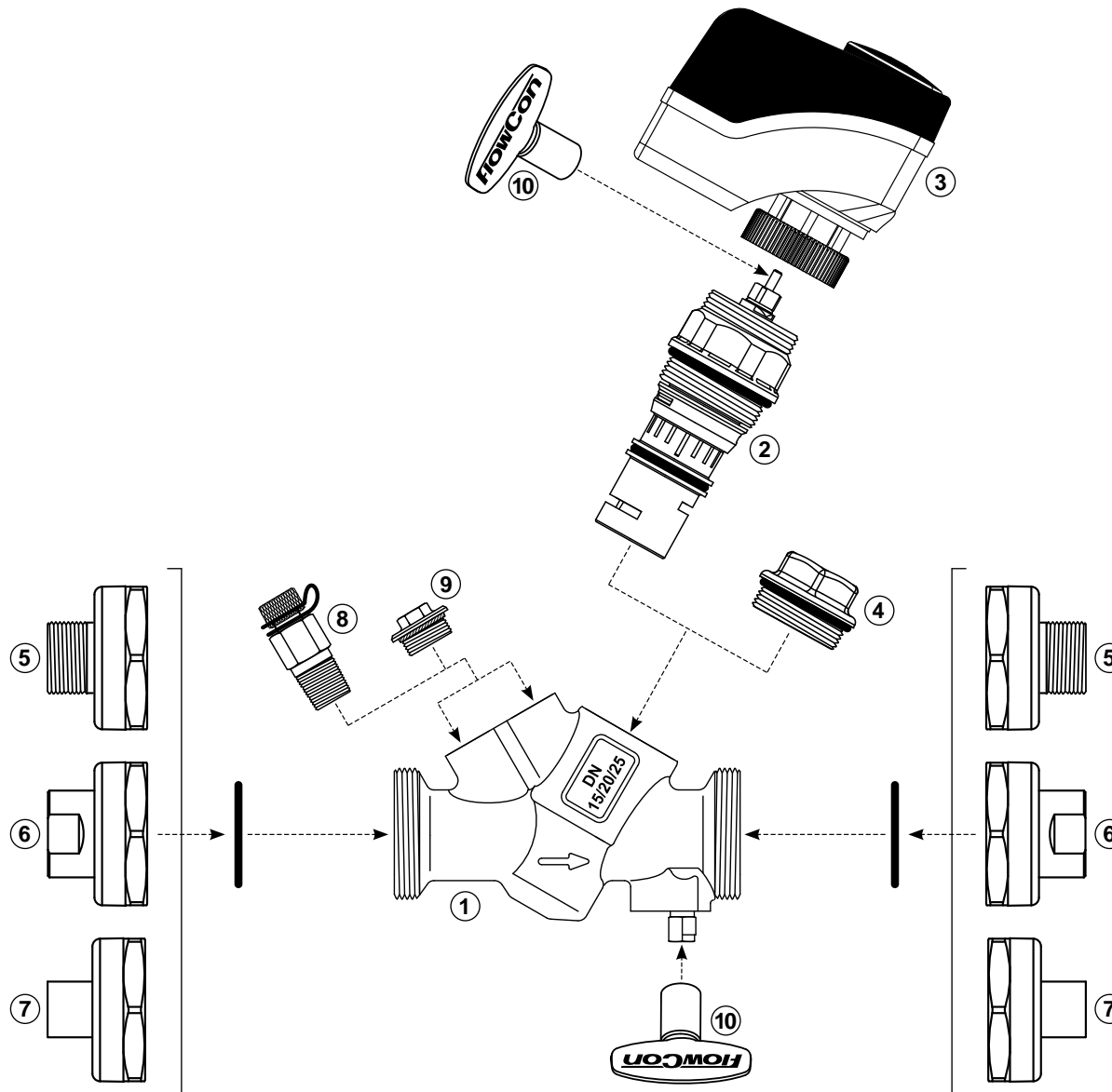
⑥ 1C000xx Female union end conn.
15-20mm (1/2"-3/4")

⑦ 1C000xx Sweat union end conn.
15-22mm

⑧ 2 x ACC00101 P/t plug

⑨ 2 x ACC1B03000 Plug

⑩ ACC0001 Adjustment key



FlowCon SME with AB
DN25/32 · 1", 1 1/4"

No. Reference no. Description

Valve body

① ABxx.l Valve body

Cartridges

② SME.2 SME cartridge

Actuators

③ FN.0.x Electrical modulating actuator, including (3a) valve adaptor

③* FT.0.x Thermal ON/OFF or modulating actuator (not shown)

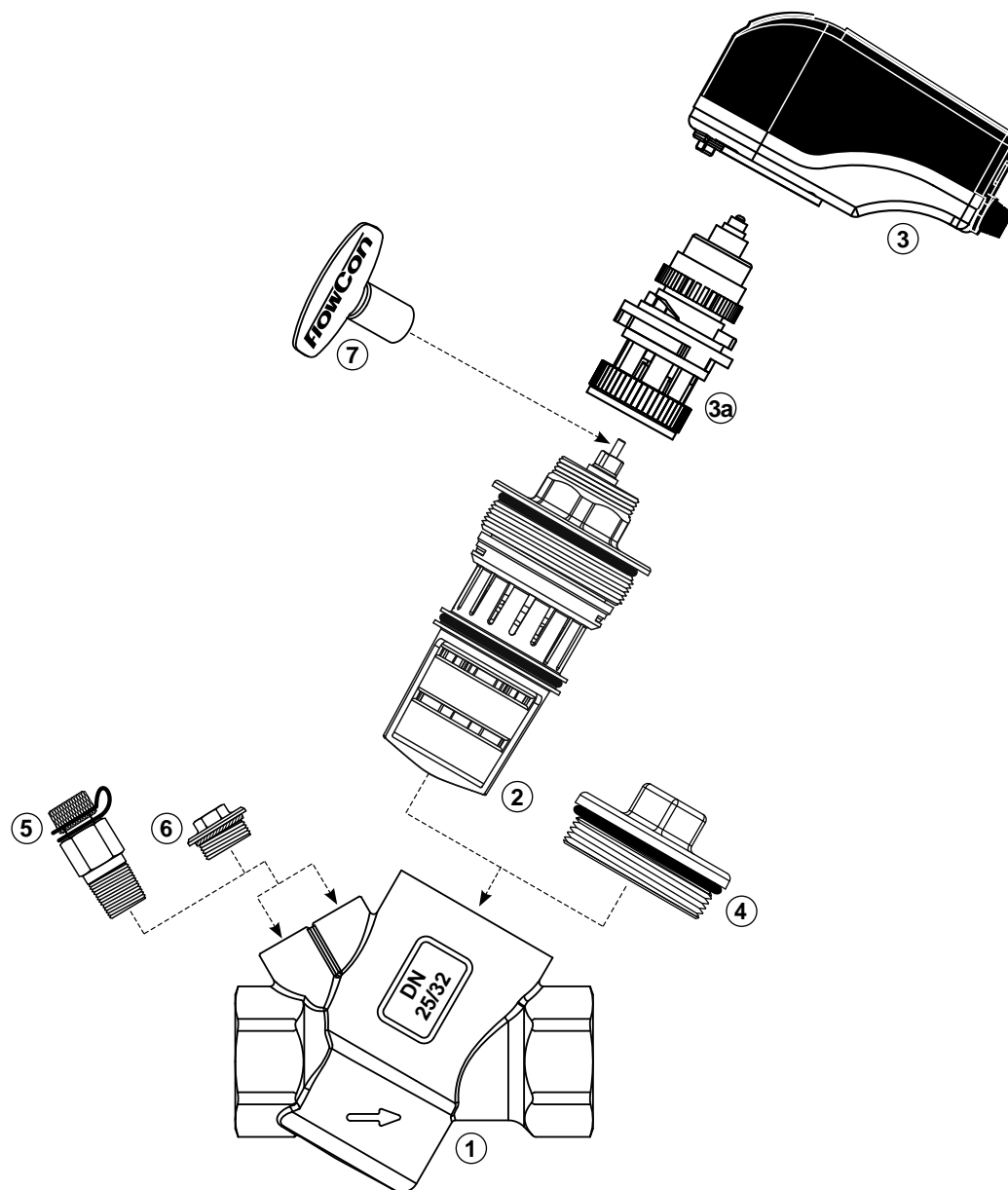
Accessories

④ ACC0081 Blind cap

⑤ 2 x ACC00101 P/t plug

⑥ 2 x ACC1B03000 Plug

⑦ ACC0001 Adjustment key



FlowCon SME with ABV2
DN25/32/40 · 1", 1 1/4", 1 1/2"

No. Reference no. Description

Valve body

① ABV2 Valve body

Cartridges

② SME.2 SME cartridge

Actuators

③ FN.0.x Electrical modulating actuator, including (3a) valve adaptor

③* FT.0.x Thermal ON/OFF or modulating actuator (not shown)

Accessories

④ ACC0081 Blind cap

⑤ 1C000xx Male union end conn. 25-40mm (1"-1 1/2")

⑥ 1C000xx Female union end conn. 25-40mm (1"-1 1/2")

⑦ 1C000xx Sweat union end conn. 28-35mm

⑧ 2 x ACC00101 P/t plug

⑨ 2 x ACC1B03000 Plug

⑩ ACC0001 Adjustment key

