

FlowCon SME with A
DN15/20/25 · 1/2", 3/4", 1"

No. Reference no. Description

Valve bodies

- | | | |
|----|---------|------------------------|
| ① | Axx.l | Valve body |
| ①* | A25.l.K | Valve body (not shown) |

Cartridge

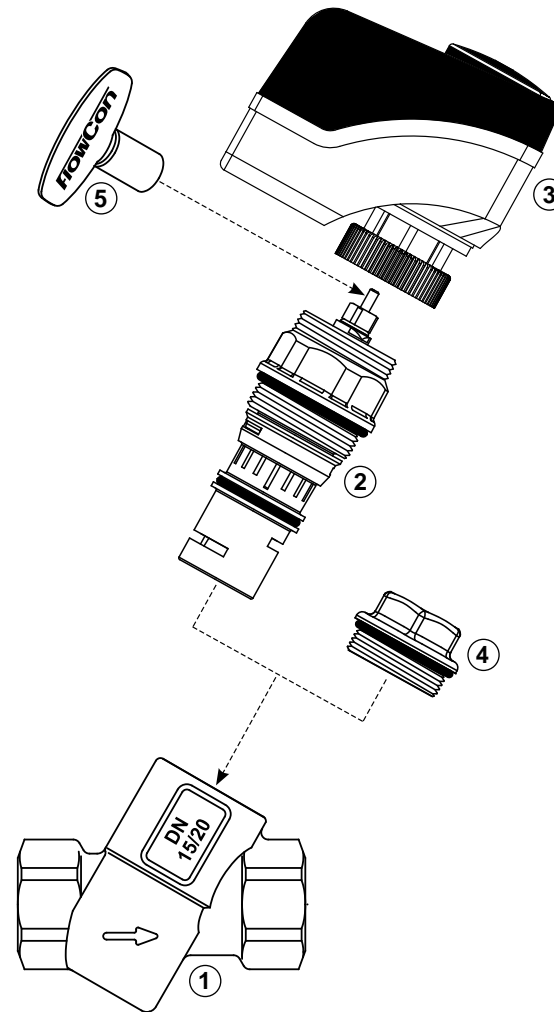
- | | | |
|---|-------|---------------|
| ② | SME.x | SME cartridge |
|---|-------|---------------|

Actuators

- | | | |
|----|--------|---------------------------------|
| ③ | FM.x.x | Electrical actuator |
| ③* | FB.x.x | Electrical actuator (not shown) |

Accessories

- | | | |
|---|---------|----------------|
| ④ | ACC0080 | Blind cap |
| ⑤ | ACC0001 | Adjustment key |



FlowCon SME with AB
DN15/20/25 · 1/2", 3/4", 1"

No. Reference no. Description

Valve bodies

- | | | |
|----|----------|------------------------|
| ① | ABxx.I | Valve body |
| ①* | AB25.I.K | Valve body (not shown) |

Cartridge

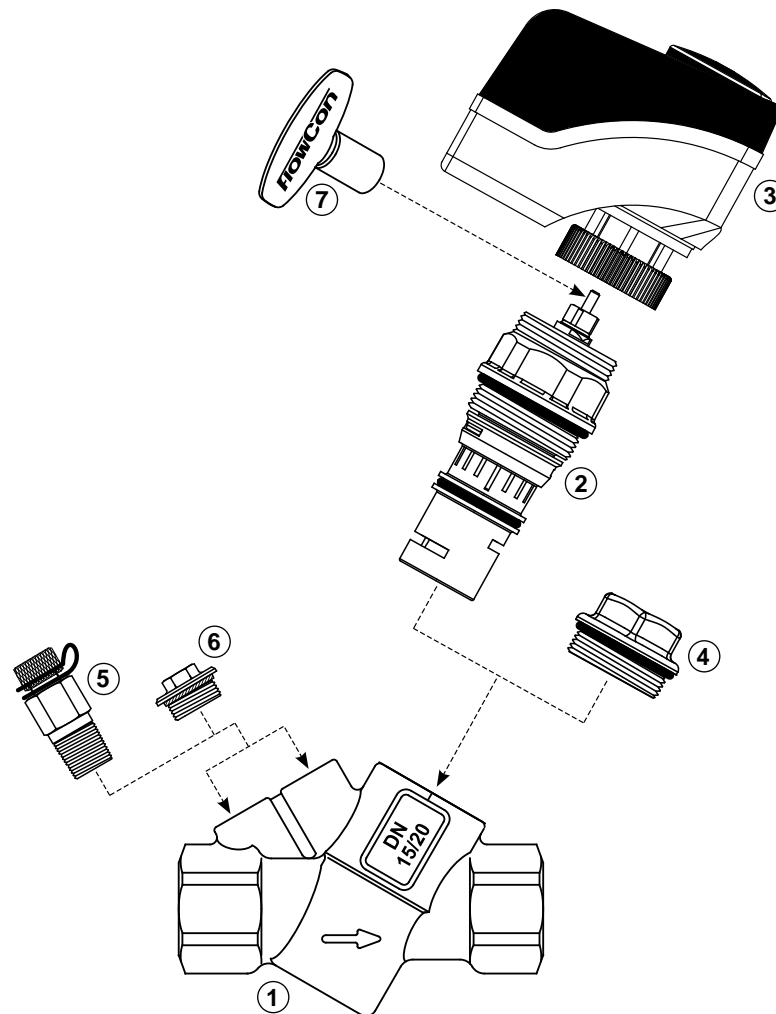
- | | | |
|---|-------|---------------|
| ② | SME.x | SME cartridge |
|---|-------|---------------|

Actuators

- | | | |
|----|--------|---------------------------------|
| ③ | FM.x.x | Electrical actuator |
| ③* | FB.x.x | Electrical actuator (not shown) |

Accessories

- | | | |
|---|----------------|----------------|
| ④ | ACC0080 | Blind cap |
| ⑤ | 2 x ACC00101 | P/t plug |
| ⑥ | 2 x ACC1B03000 | Plug |
| ⑦ | ACC0001 | Adjustment key |



FlowCon SME with ABV1
DN15/20/25 · 1/2", 3/4", 1"

No. Reference no. Description

Valve body

① ABV1 Valve body

Cartridge

② SME.x SME cartridge

Actuators

③ FM.x.x Electrical actuator

③* FB.x.x Electrical actuator
(not shown)

Accessories

④ ACC0080 Blind cap

⑤ 1C000xx Male union end conn.
15-25mm (1/2"-1")

⑥ 1C000xx Female union end conn.
15-20mm (1/2"-3/4")

⑦ 1C000xx Sweat union end conn.
15-22mm

⑧ 2 x ACC00101 P/t plug

⑨ 2 x ACC1B03000 Plug

⑩ ACC0001 Adjustment key

