

FlowCon K
DN15/20/25 · 1/2", 3/4", 1"

No. Reference no. Description

Valve body

① F380.0.x.x.l Valve body incl. cap

Cartridge

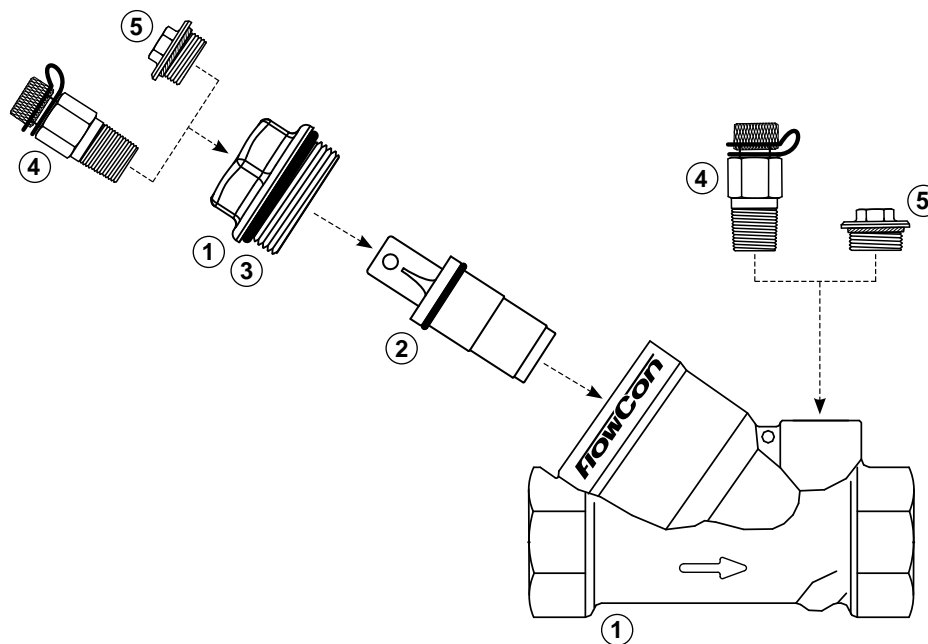
② F360xxx SS cartridge

Accessories

③ 1K01600 Blind cap

④ 2 x ACC00101 P/t plug

⑤ 2 x ACC1B03000 Plug



FlowCon K
DN25/32/40 · 1", 1 1/4", 1 1/2"

No. Reference no. Description

Valve body

① F381.0.x.x.I Valve body incl. cap

Cartridge

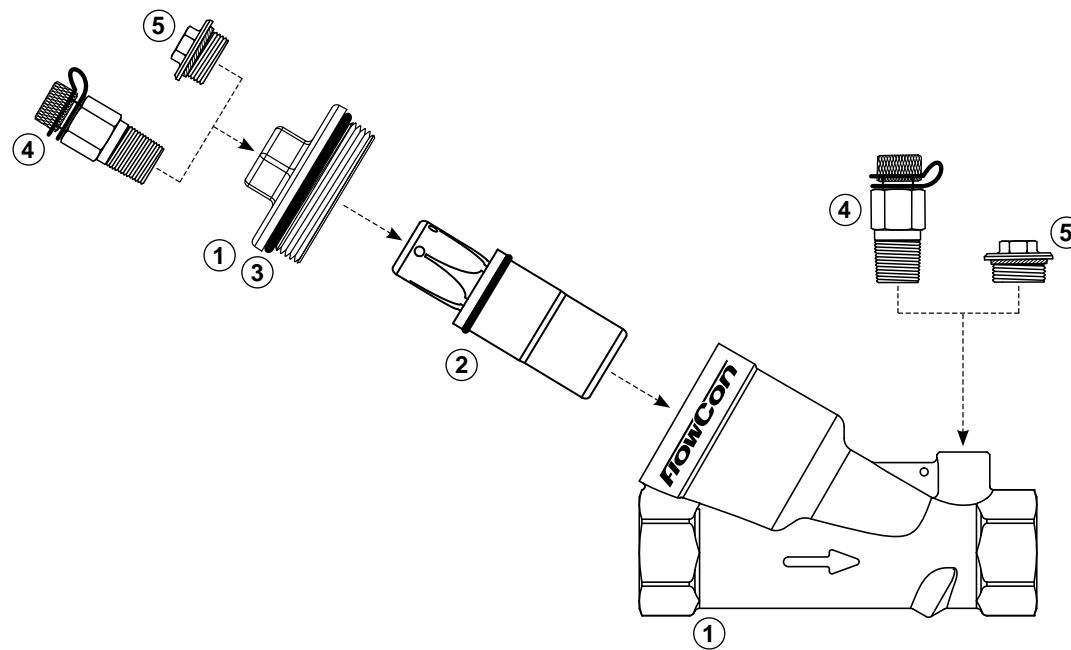
② F361xxx SS cartridge

Accessories

③ 1K01610 Blind cap

④ 2 x ACC00101 P/t plug

⑤ 2 x ACC1B03000 Plug



FlowCon K
DN40/50 · 1 1/2", 2"

No. Reference no. Description

Valve body

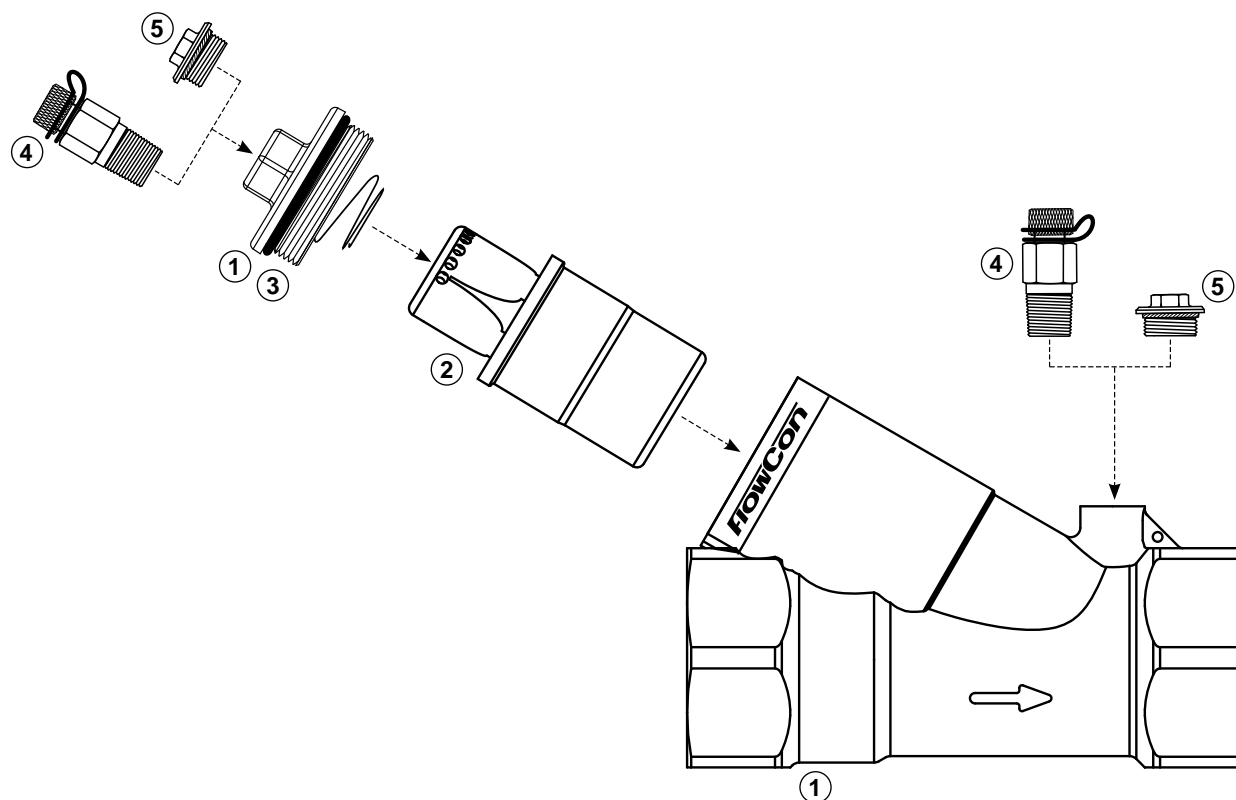
① F382.0.x.x.I Valve body incl. cap

Cartridge

② F3C2xxx SS cartridge
Note:
mounted without o-ring

Accessories

③ 1K01611 Blind cap
④ 2 x ACC00101 P/t plug
⑤ 2 x ACC1B03000 Plug



FlowCon K
DN50/65/80 · 2", 2 1/2", 3"

No. Reference no. Description

Valve body

- | | | |
|---|--------------|------------------------------------|
| ① | F383.0.x.B.I | Valve body incl. cap and p/t plugs |
|---|--------------|------------------------------------|

Cartridges

- | | | |
|---|---------|-------------------------------|
| ② | F324xxx | SS cartridge
Standard |
| ③ | F324xxx | SS cartridge
High capacity |

