

FlowCon EVS with A
DN15/20/25 · 1/2", 3/4", 1"

No.	Reference no.	Description
-----	---------------	-------------

Valve bodies

①	Axx.I	Valve body
①*	A25.I.K	Valve body (not shown)

Cartridge

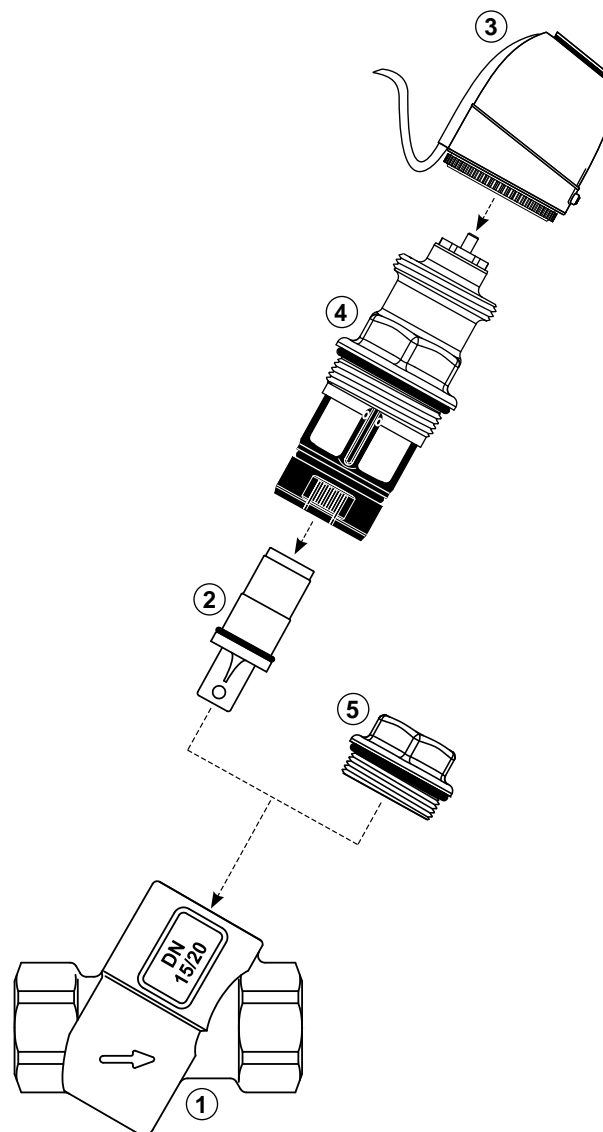
②	F360xxx	SS cartridge
---	---------	--------------

Actuator

③	EV.x.x	Thermal actuator
---	--------	------------------

Accessories

④	EVS.0.0.0	EVS Insert
⑤	ACC0080	Blind cap



FlowCon EVS with AB
DN15/20/25 · 1/2", 3/4", 1"

No. Reference no. Description

Valve bodies

- | | | |
|----|----------|------------------------|
| ① | ABxx.I | Valve body |
| ①* | AB25.I.K | Valve body (not shown) |

Cartridge

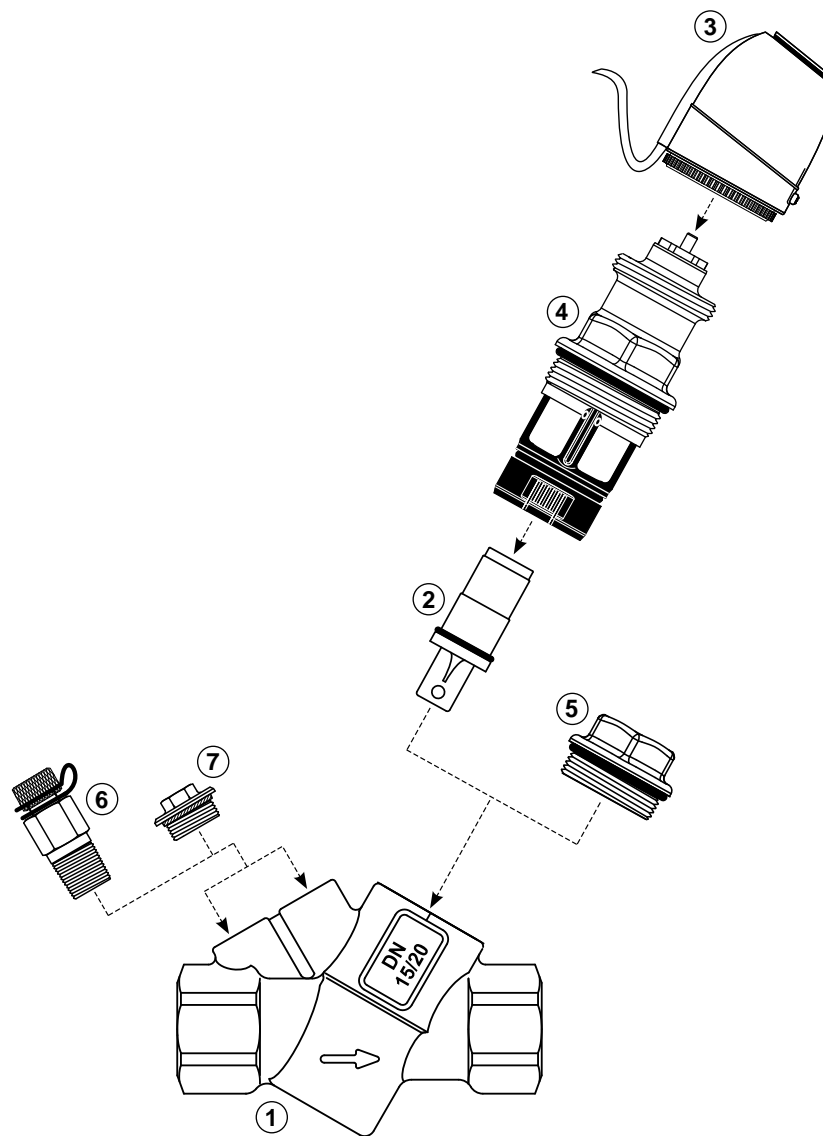
- | | | |
|---|---------|--------------|
| ② | F360xxx | SS cartridge |
|---|---------|--------------|

Actuator

- | | | |
|---|--------|------------------|
| ③ | EV.x.x | Thermal actuator |
|---|--------|------------------|

Accessories

- | | | |
|---|----------------|------------|
| ④ | EVS.0.0.0 | EVS Insert |
| ⑤ | ACC0080 | Blind cap |
| ⑥ | 2 x ACC00101 | P/t plug |
| ⑦ | 2 x ACC1B03000 | Plug |



FlowCon EVS with ABV1
DN15/20/25 · 1/2", 3/4", 1"

No. Reference no. Description

Valve body

① ABV1 Valve body

Cartridge

② F360xxx SS cartridge

Actuator

③ EV.x.x Thermal actuator

Accessories

- ④ EVS.0.0.0 EVS Insert
- ⑤ ACC0080 Blind cap
- ⑥ 1C000xx Male union end conn. 15-25mm (1/2"-1")
- ⑦ 1C000xx Female union end conn. 15-20mm (1/2"-3/4")
- ⑧ 1C000xx Sweat union end conn. 15-22mm
- ⑨ 2 x ACC00101 P/t plug
- ⑩ 2 x ACC1B03000 Plug
- ⑪ ACC0001 Adjustment key

